



MODEL KAWASAKI VERSYS 1000

YEAR 2012-->

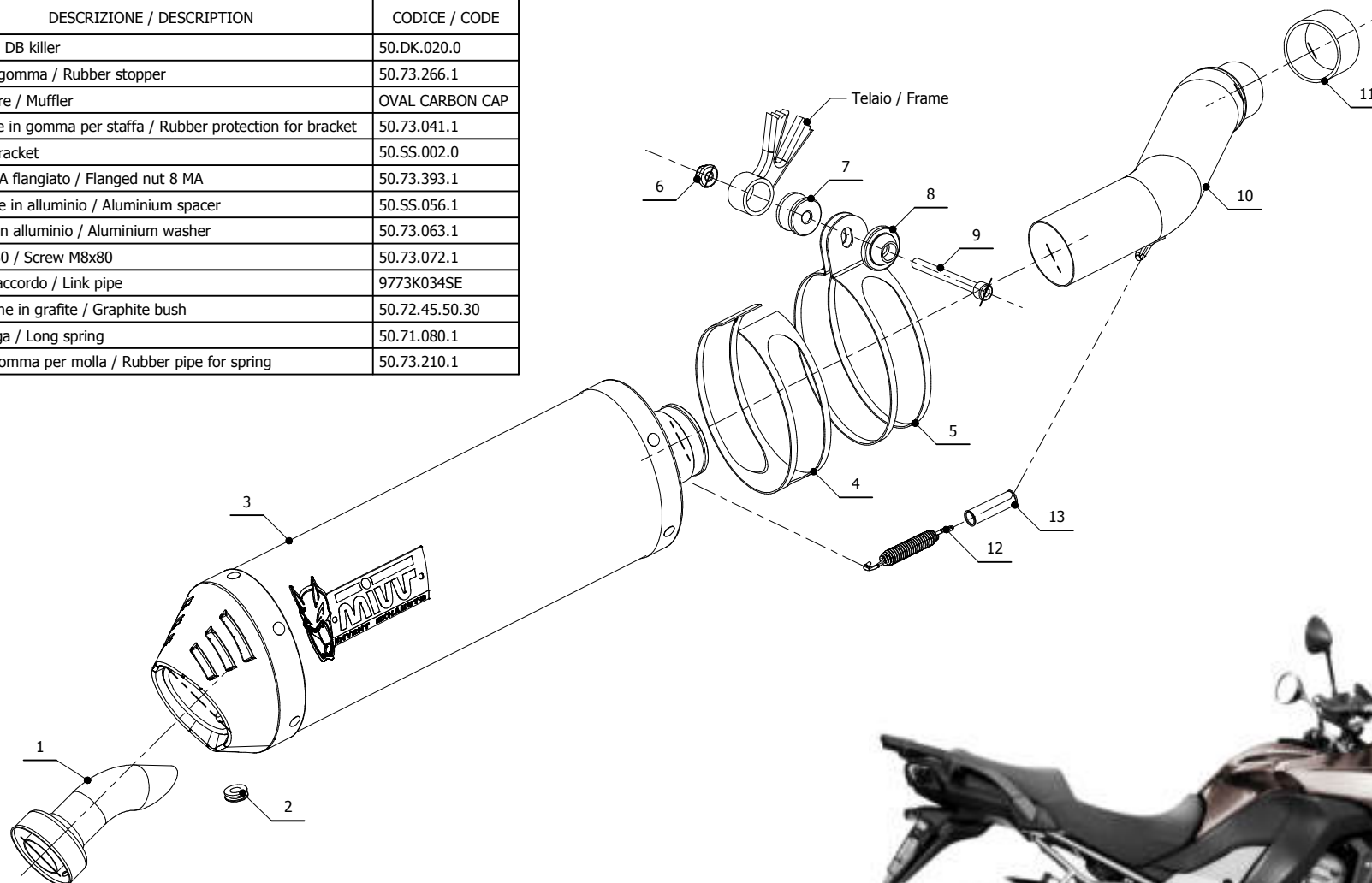
LINE SPORT

MUFFLER OVAL CARBON CAP

SCHEMATIC

ELENCO PARTI / PARTS LIST

| # | QTÀ / QTY | DESCRIZIONE / DESCRIPTION | CODICE / CODE |
|----|-----------|--|-----------------|
| 1 | 1 | DB killer / DB killer | 50.DK.020.0 |
| 2 | 1 | Tappo in gomma / Rubber stopper | 50.73.266.1 |
| 3 | 1 | Silenziatore / Muffler | OVAL CARBON CAP |
| 4 | 1 | Protezione in gomma per staffa / Rubber protection for bracket | 50.73.041.1 |
| 5 | 1 | Staffa / Bracket | 50.SS.002.0 |
| 6 | 1 | Dado 8 MA flangiato / Flanged nut 8 MA | 50.73.393.1 |
| 7 | 1 | Distanziale in alluminio / Aluminium spacer | 50.SS.056.1 |
| 8 | 1 | Rondella in alluminio / Aluminium washer | 50.73.063.1 |
| 9 | 1 | Vite M8x80 / Screw M8x80 | 50.73.072.1 |
| 10 | 1 | Tubo di raccordo / Link pipe | 9773K034SE |
| 11 | 1 | Guarnizione in grafite / Graphite bush | 50.72.45.50.30 |
| 12 | 1 | Molla lunga / Long spring | 50.71.080.1 |
| 13 | 1 | Tubo in gomma per molla / Rubber pipe for spring | 50.73.210.1 |



APPLICAZIONI / APPLICATIONS

| CODICE / CODE | TUBO / PIPE | SILENZIATORE / MUFFLER | FASCETTA / CLAMP | CODICE OMOL. / HOMOL.CODE |
|---------------|-----------------|--|------------------|---------------------------|
| K.034.LEC | INOX / ST.STEEL | CARBONIO (COPPA CARBONIO) / CARBON (CARBON CAP) | INOX / ST.STEEL | ME002 e9 1177 |
| K.034.LNC | INOX / ST.STEEL | TITANIO (COPPA CARBONIO) / TITANIUM (CARBON CAP) | INOX / ST.STEEL | ME002 e9 1177 |

