



**MODEL** HONDA CBR 600 RR

**YEAR** 2005-2006

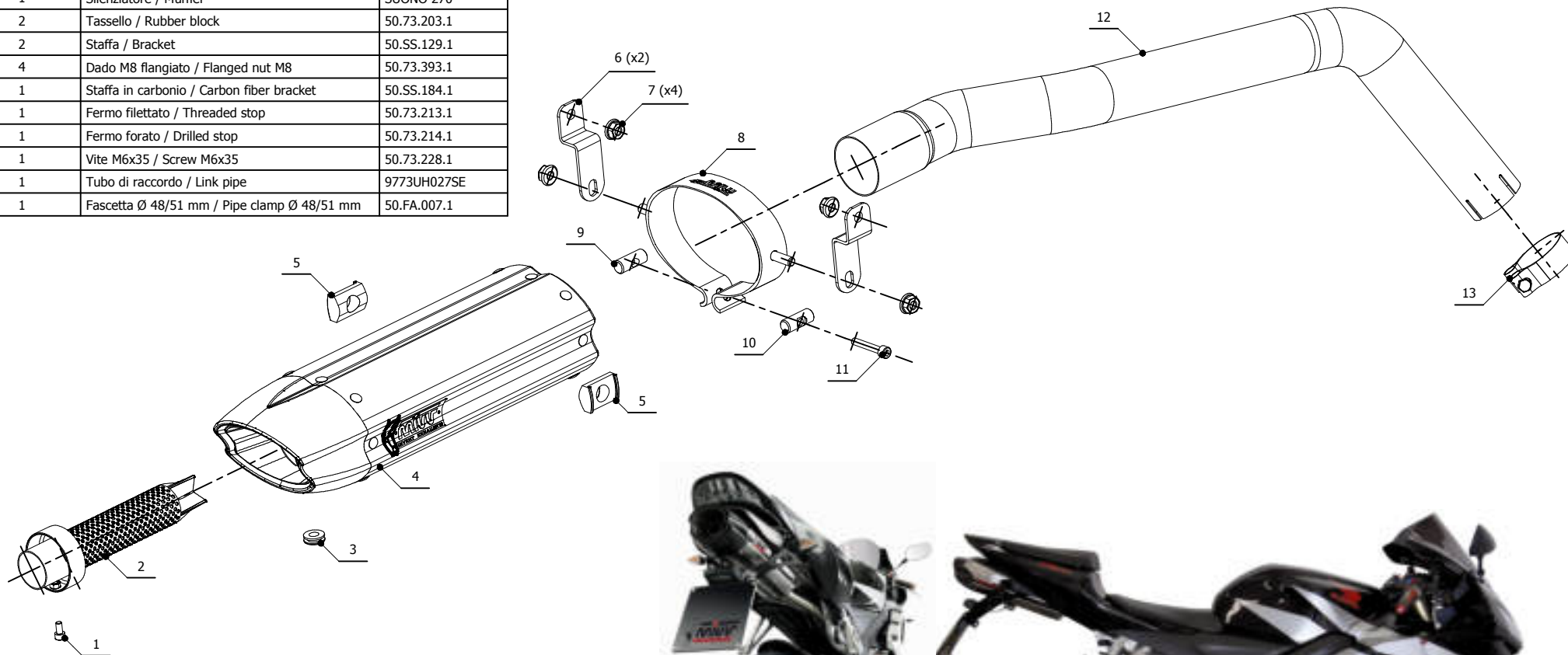
**LINE** SLIP ON

**MUFFLER** SUONO

**SCHEMATIC**

**ELENCO PARTI / PARTS LIST**

#	QTÀ / QTY	DESCRIZIONE / DESCRIPTION	CODICE / CODE
1	1	Vite M5x10 / Screw M5 x 10	50.73.858.1
2	1	Db Killer forato / Drilled DB killer	50.DK.071.0
3	1	Tappo in gomma / Rubber stopper	50.73.266.1
4	1	Silenziatore / Muffler	SUONO 270
5	2	Tassello / Rubber block	50.73.203.1
6	2	Staffa / Bracket	50.SS.129.1
7	4	Dado M8 flangiato / Flanged nut M8	50.73.393.1
8	1	Staffa in carbonio / Carbon fiber bracket	50.SS.184.1
9	1	Fermo filettato / Threaded stop	50.73.213.1
10	1	Fermo forato / Drilled stop	50.73.214.1
11	1	Vite M6x35 / Screw M6x35	50.73.228.1
12	1	Tubo di raccordo / Link pipe	9773UH027SE
13	1	Fascetta Ø 48/51 mm / Pipe clamp Ø 48/51 mm	50.FA.007.1



**APPLICAZIONI / APPLICATIONS**

CODICE / CODE	SILENZIATORE / MUFFLER	TUBO / PIPE	FASCETTA / CLAMP
UH.027.L7	INOX (COPPE CARBONIO) / ST. STEEL (CARBON CAPS)	INOX / ST. STEEL	CARBONIO / CARBON FIBER
UH.027.L9	STEEL BLACK		

