



**MODEL** YAMAHA X-MAX 400

**YEAR** 2013-->

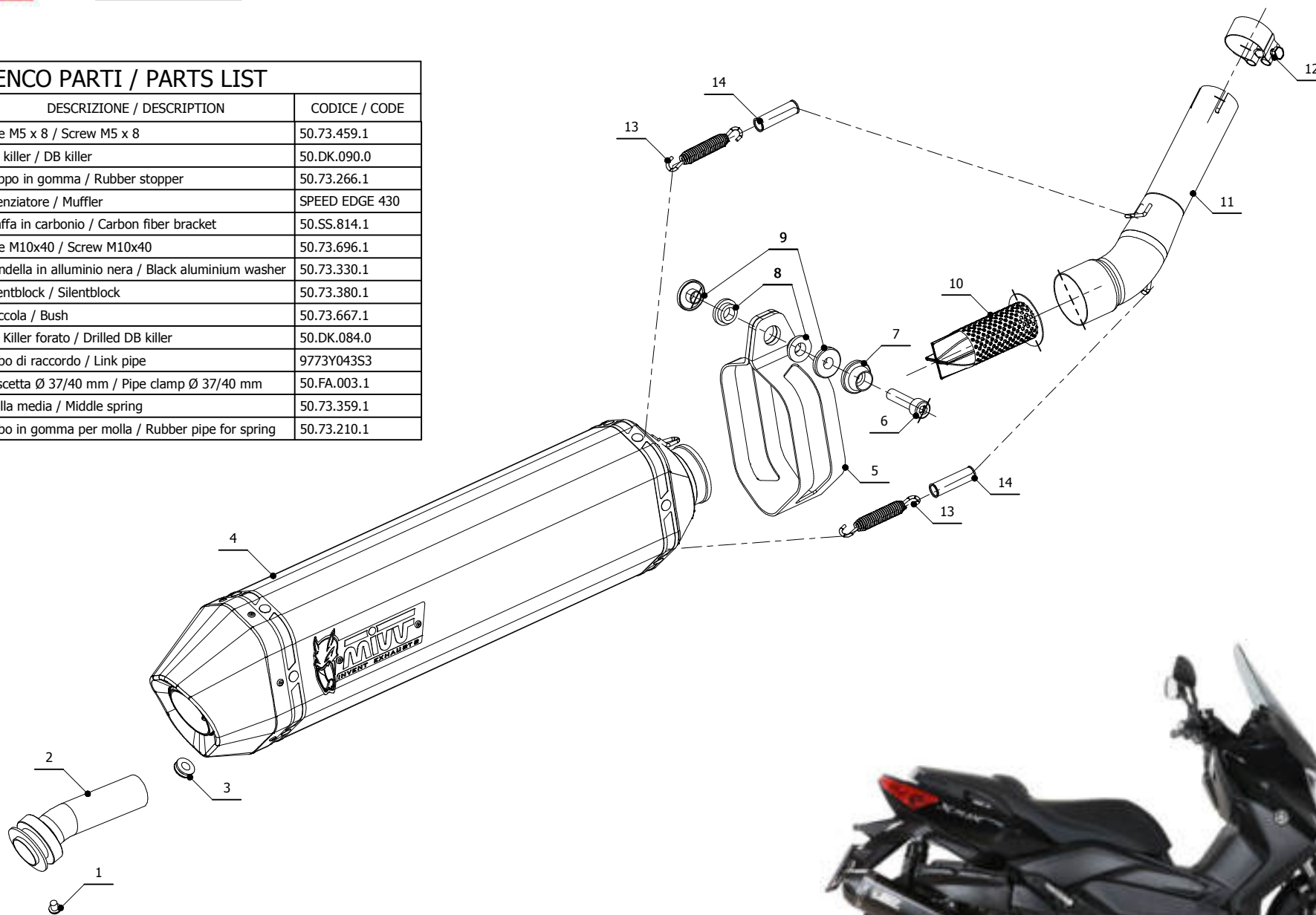
**LINE** SPORT

**MUFFLER** SPEED EDGE

**SCHEMATIC**

**ELENCO PARTI / PARTS LIST**

#	QTÀ / QTY	DESCRIZIONE / DESCRIPTION	CODICE / CODE
1	1	Vite M5 x 8 / Screw M5 x 8	50.73.459.1
2	1	DB killer / DB killer	50.DK.090.0
3	1	Tappo in gomma / Rubber stopper	50.73.266.1
4	1	Silenziatore / Muffler	SPEED EDGE 430
5	1	Staffa in carbonio / Carbon fiber bracket	50.SS.814.1
6	1	Vite M10x40 / Screw M10x40	50.73.696.1
7	1	Rondella in alluminio nera / Black aluminium washer	50.73.330.1
8	2	Silentblock / Silentblock	50.73.380.1
9	2	Boccola / Bush	50.73.667.1
10	1	Db Killer forato / Drilled DB killer	50.DK.084.0
11	1	Tubo di raccordo / Link pipe	9773Y043S3
12	1	Fascetta Ø 37/40 mm / Pipe clamp Ø 37/40 mm	50.FA.003.1
13	2	Molla media / Middle spring	50.73.359.1
14	2	Tubo in gomma per molla / Rubber pipe for spring	50.73.210.1



**APPLICAZIONI / APPLICATIONS**

CODICE / CODE	TUBO / PIPE	SILENZIATORE / MUFFLER	FASCETTA / CLAMP
Y.043.LRX	INOX / ST. STEEL	INOX (COPPE CARBONIO) / ST. STEEL (CARBON CAPS)	CARBONIO / CARBON FIBER
Y.043.LRB	INOX / ST. STEEL	STEEL BLACK	CARBONIO / CARBON FIBER

