



MODEL HONDA CBR 600 FS

YEAR 2001 - 2003

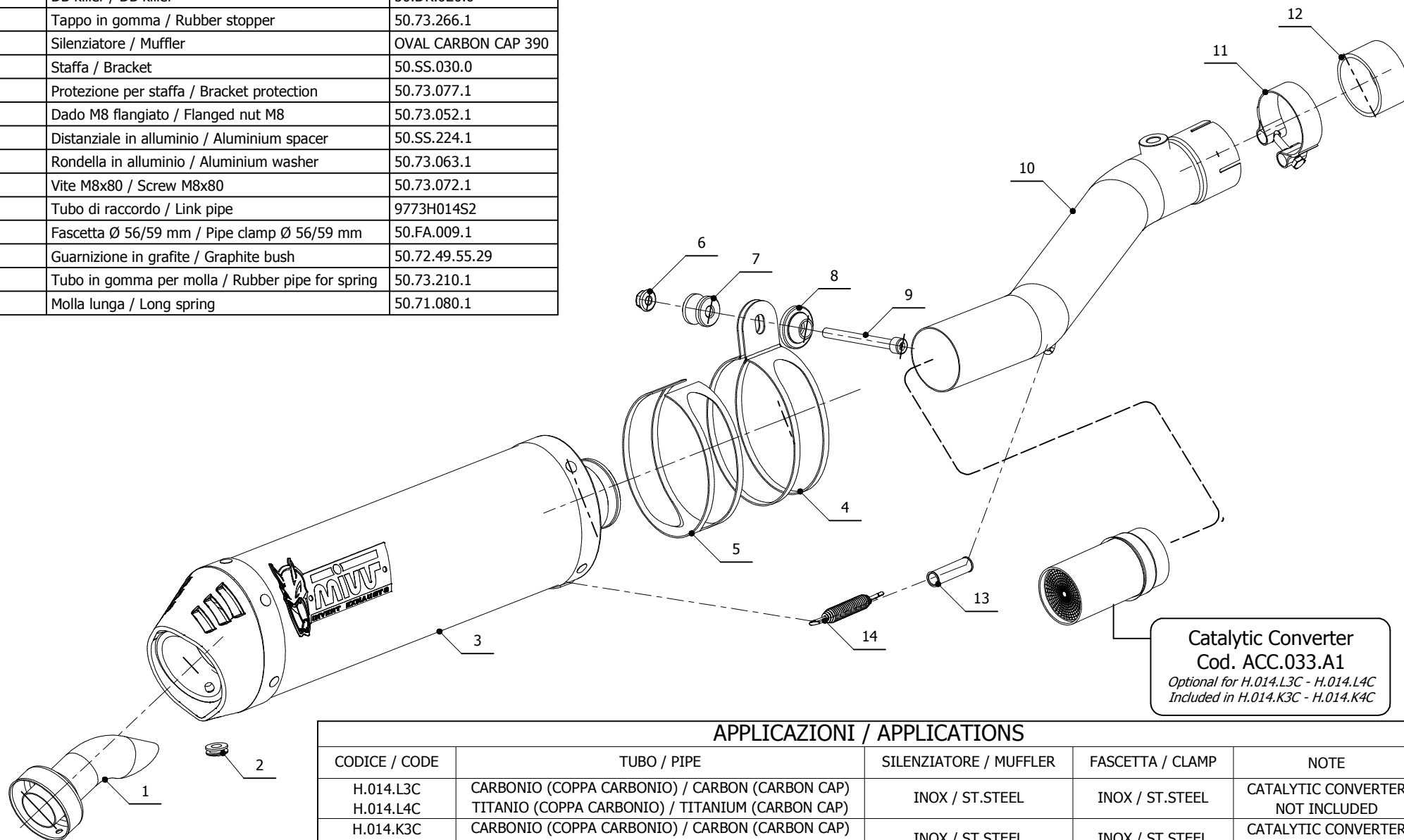
LINE SLIP ON

MUFFLER OVAL CARBON CAP

SCHEMATIC

ELENCO PARTI / PARTS LIST

#	QTÀ / QTY	DESCRIZIONE / DESCRIPTION	CODICE / CODE
1	1	DB killer / DB killer	50.DK.020.0
2	1	Tappo in gomma / Rubber stopper	50.73.266.1
3	1	Silenziatore / Muffler	OVAL CARBON CAP 390
4	1	Staffa / Bracket	50.SS.030.0
5	1	Protezione per staffa / Bracket protection	50.73.077.1
6	1	Dado M8 flangiato / Flanged nut M8	50.73.052.1
7	1	Distanziale in alluminio / Aluminium spacer	50.SS.224.1
8	1	Rondella in alluminio / Aluminium washer	50.73.063.1
9	1	Vite M8x80 / Screw M8x80	50.73.072.1
10	1	Tubo di raccordo / Link pipe	9773H014S2
11	1	Fascetta Ø 56/59 mm / Pipe clamp Ø 56/59 mm	50.FA.009.1
12	1	Guarnizione in grafite / Graphite bush	50.72.49.55.29
13	1	Tubo in gomma per molla / Rubber pipe for spring	50.73.210.1
14	1	Molla lunga / Long spring	50.71.080.1



APPLICAZIONI / APPLICATIONS

CODICE / CODE	TUBO / PIPE	SILENZIATORE / MUFFLER	FASCETTA / CLAMP	NOTE
H.014.L3C H.014.L4C	CARBONIO (COPPA CARBONIO) / CARBON (CARBON CAP) TITANIO (COPPA CARBONIO) / TITANIUM (CARBON CAP)	INOX / ST.STEEL	INOX / ST.STEEL	CATALYTIC CONVERTER NOT INCLUDED
H.014.K3C H.014.K4C	CARBONIO (COPPA CARBONIO) / CARBON (CARBON CAP) TITANIO (COPPA CARBONIO) / TITANIUM (CARBON CAP)	INOX / ST.STEEL	INOX / ST.STEEL	CATALYTIC CONVERTER INCLUDED