



**MODEL** KAWASAKI Z 750

**YEAR** 2007 - 2014

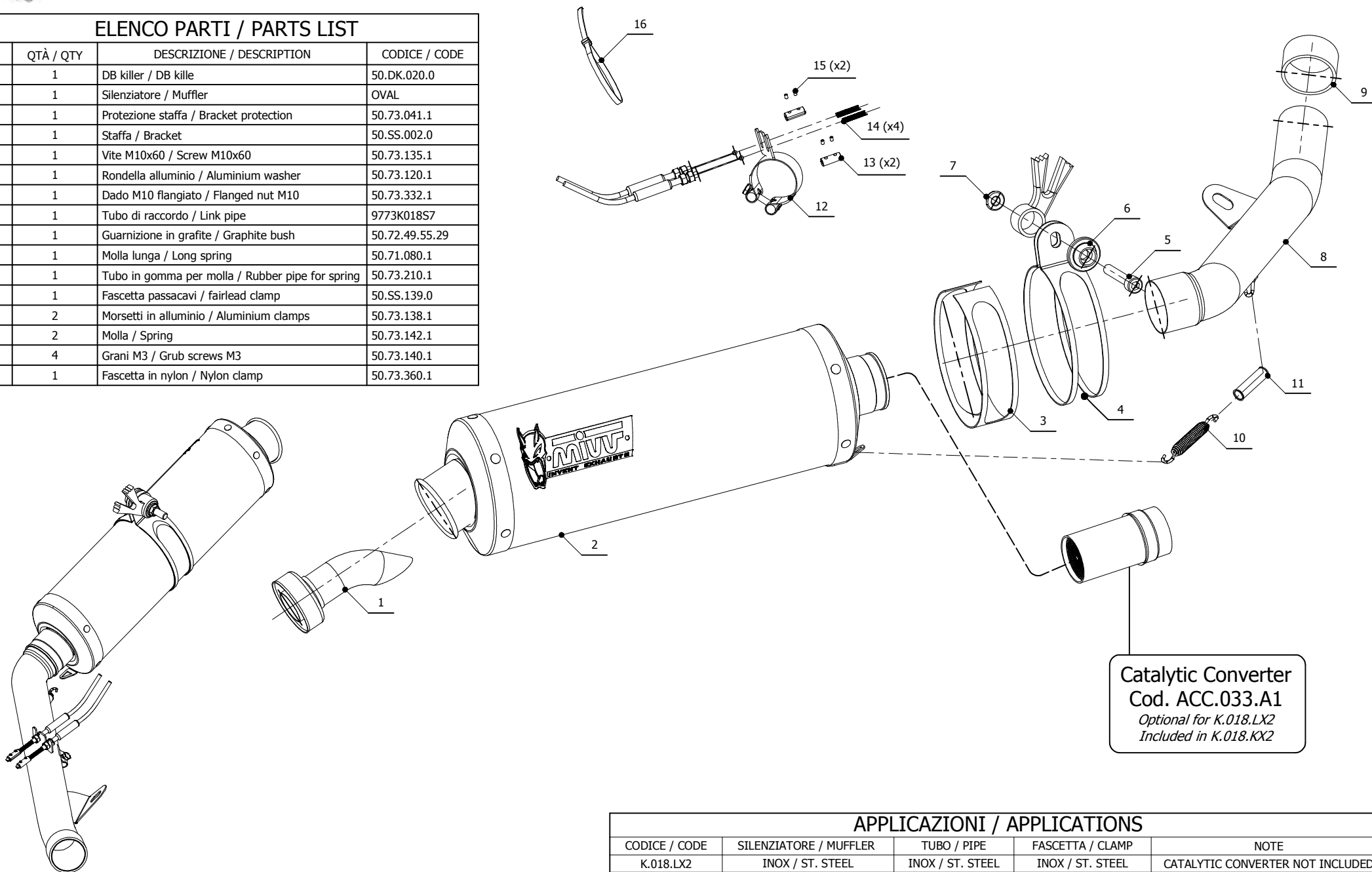
**LINE** SLIP ON

**MUFFLER** OVAL

**SCHEMATIC**

**ELENCO PARTI / PARTS LIST**

#	QTÀ / QTY	DESCRIZIONE / DESCRIPTION	CODICE / CODE
1	1	DB killer / DB kille	50.DK.020.0
2	1	Silenziatore / Muffler	OVAL
3	1	Protezione staffa / Bracket protection	50.73.041.1
4	1	Staffa / Bracket	50.SS.002.0
5	1	Vite M10x60 / Screw M10x60	50.73.135.1
6	1	Rondella alluminio / Aluminium washer	50.73.120.1
7	1	Dado M10 flangiato / Flanged nut M10	50.73.332.1
8	1	Tubo di raccordo / Link pipe	9773K018S7
9	1	Guarnizione in grafite / Graphite bush	50.72.49.55.29
10	1	Molla lunga / Long spring	50.71.080.1
11	1	Tubo in gomma per molla / Rubber pipe for spring	50.73.210.1
12	1	Fascetta passacavi / fairlead clamp	50.SS.139.0
13	2	Morsetti in alluminio / Aluminium clamps	50.73.138.1
14	2	Molla / Spring	50.73.142.1
15	4	Grani M3 / Grub screws M3	50.73.140.1
16	1	Fascetta in nylon / Nylon clamp	50.73.360.1



**Catalytic Converter**  
**Cod. ACC.033.A1**  
*Optional for K.018.LX2*  
*Included in K.018.KX2*

**APPLICAZIONI / APPLICATIONS**

CODICE / CODE	SILENZIATORE / MUFFLER	TUBO / PIPE	FASCETTA / CLAMP	NOTE
K.018.LX2	INOX / ST. STEEL	INOX / ST. STEEL	INOX / ST. STEEL	CATALYTIC CONVERTER NOT INCLUDED
K.018.KX2	INOX / ST. STEEL	INOX / ST. STEEL	INOX / ST. STEEL	CATALYTIC CONVERTER INCLUDED