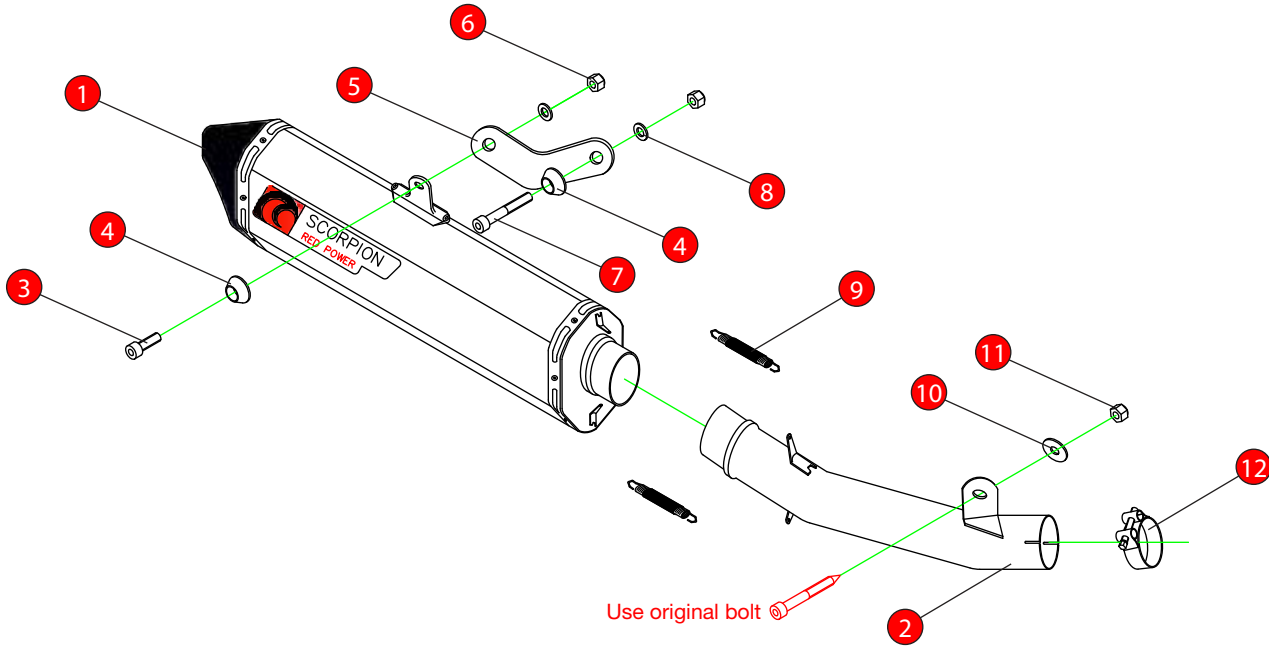


<b>Bike</b>	Kawasaki Z800 e	<b>Part No.</b>	RKA-101
<b>Year</b>	2013-Current	<b>Fit Kit</b>	Z039.10503
<b>Notes</b>	Where not supplied use original fittings. Remove O.E gasket before fitting connecting pipe.	<b>dB Killer</b>	Z038.10043 (TYPE V)

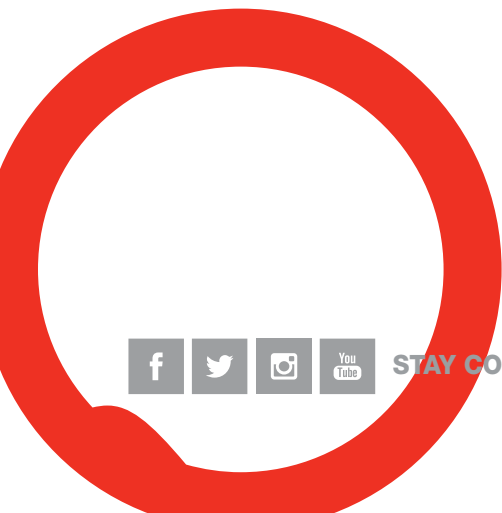
Estimated Fitting Time: 60 Minutes



NO.	PART NO.	DESCRIPTION	QTY
1	RSC260	Serket Parallel Silencer	1
2	CP749	Connecting Pipe	1
<b>Fit Kit - Z039.10503</b>			
3	Z017.10073	M8 x 25mm Cap Head Screw	1
4	Z026.20068	Alloy Bolt Finisher	2
5	Z015.30941	Mounting Bracket	1
6	Z017.10062	M8 Nyloc Nut	2
7	Z017.10079	M8 x 55mm Cap Head Screw	1
8	Z017.10825	M8 x 25mm Washer	2
9	Z028.10030	Rubber Coated Springs	2
10	Z017.11014	M10 x 25mm Washer	1
11	Z017.11018	Fine Thread M10 Nyloc Nut	1
12	Z016.10003	47-51mm Clamp	1

E-MARK	RSC260 E4 2460 ©
DATE	16/08/17
ISSUE	01
AUTHORISED	M.Ydlibi

NOTE: ENSURE SCORPION SYSTEM IS CLEAR OF MOVING PARTS AND ALL ORIGINAL FUNCTIONS WORK CORRECTLY.



STAY CONNECTED TO RED POWER.

<b>Bike</b>	Kawasaki Z800 e	<b>Part No.</b>	RKA-101
<b>Year</b>	2013-Current	<b>Fit Kit</b>	Z039.10503
<b>Notes</b>	Where not supplied use original fittings. Remove O.E gasket before fitting connecting pipe.	<b>dB Killer</b>	Z038.10043 (TYPE V)

Estimated Fitting Time: 60 Minutes



A) Remove original exhaust from bike, taking care to keep all original components in a safe place.

B) Refit Scorpion exhaust as per line diagram above.

C) When fitted take bike for a short ride to ensure all functions are correct.

D) When bike & exhaust are cool enough check all nuts and bolts are still secure.

Thank you for purchasing your Scorpion Silencer.

Care of your exhaust: Please refrain from cleaning silencer with heavy solvents or abrasives!

Vielen Dank Fur den kauf eines Scorpion Schalldampfers! Pflegehinweis: Bitte verwenden Sie niemals Scheuermittel oder aggressive Reiniger zur Pflege Ihres Auspuffes!

Merci d'avoir choisi un echappement Scorpion.

Entretien de votre silencieux: Ne pas utiliser de solvants ou de produits abrasifs!

Muchas gracias por adquirir un Silencioso Scorpion. Le recomendamos no limpiar el silencioso con productos abrasivos o aquellos que contengan disolventes.



STAY CONNECTED TO RED POWER.