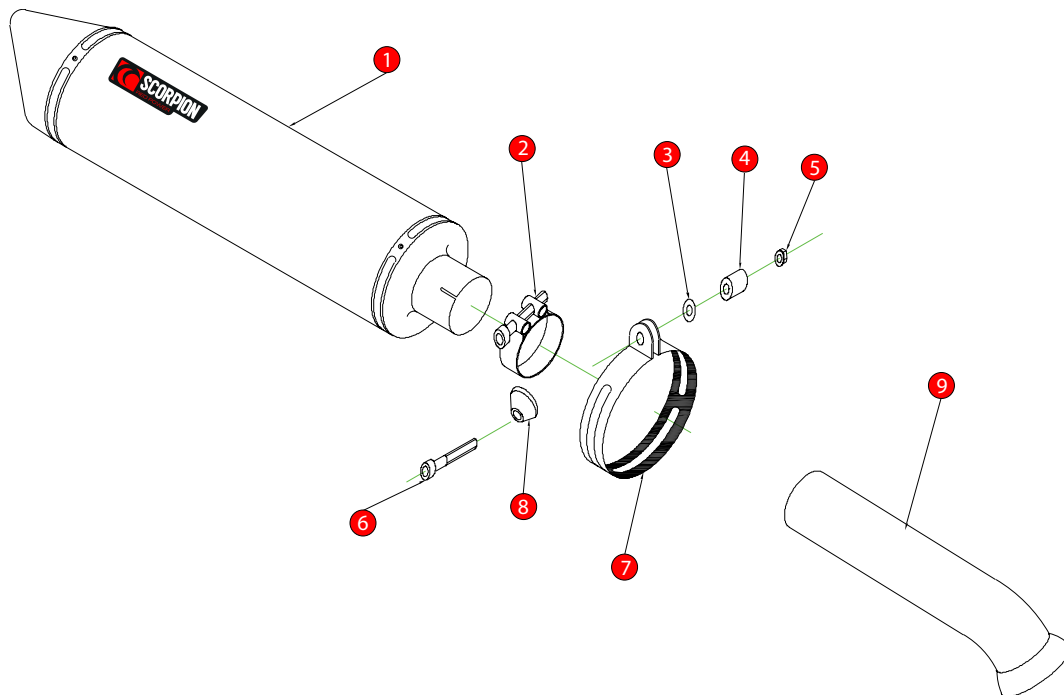


Box: PLOCK 1

BIKE	HONDA VFR 750F (RSTV)	PART NO.	EHA - 53
YEAR	1994 - 1997	FIT KITS	OVAL Z039.11038 // ROUND Z039.10038
NOTES	Where not supplied use original fittings	FEATURES	DB KILLER Z038.10120



- | | |
|---|--|
| 1 450mm Silencer ESC 50 | 8 Aluminium Bolt Finisher (Z026.20068) |
| 2 51-55mm Band Clamp (Z016.10002) | 9 Connecting Pipe CP 4 |
| 3 M8 x 25mm Washer (Z017.10825) | |
| 4 10mm Aluminium Spacer (Z026.10004) | |
| 5 M8 Nyloc Nut (Z017.10062) | |
| 6 M8 x 60mm Cap Head Bolt (Z017.10080) | |
| 7 Composite Silencer Strap (R-Z038.10090)(O-Z038.10088) | |

E-MARK ROUND	SCDB-RS e4 2035
E-MARK OVAL	SCDB-OS e4 2072
ISSUE NO.	8
DATE	24/08/08
AUTHORISED	S.Northrop
CHECKED	

NOTE: ENSURE SCORPION SYSTEM IS CLEAR OF MOVING PARTS AND ALL ORIGINAL FUNCTIONS WORK CORRECTLY.

A) Remove original exhaust from bike, taking care to keep all original components in a safe place.

B) Refit Scorpion exhaust as per line diagram above.

C) When fitted take bike for a short ride to ensure all functions are correct.

D) When bike & exhaust are cool enough check all nuts and bolts are still secure.