



MODEL KAWASAKI ZZR 1400

YEAR 2008 - 2011

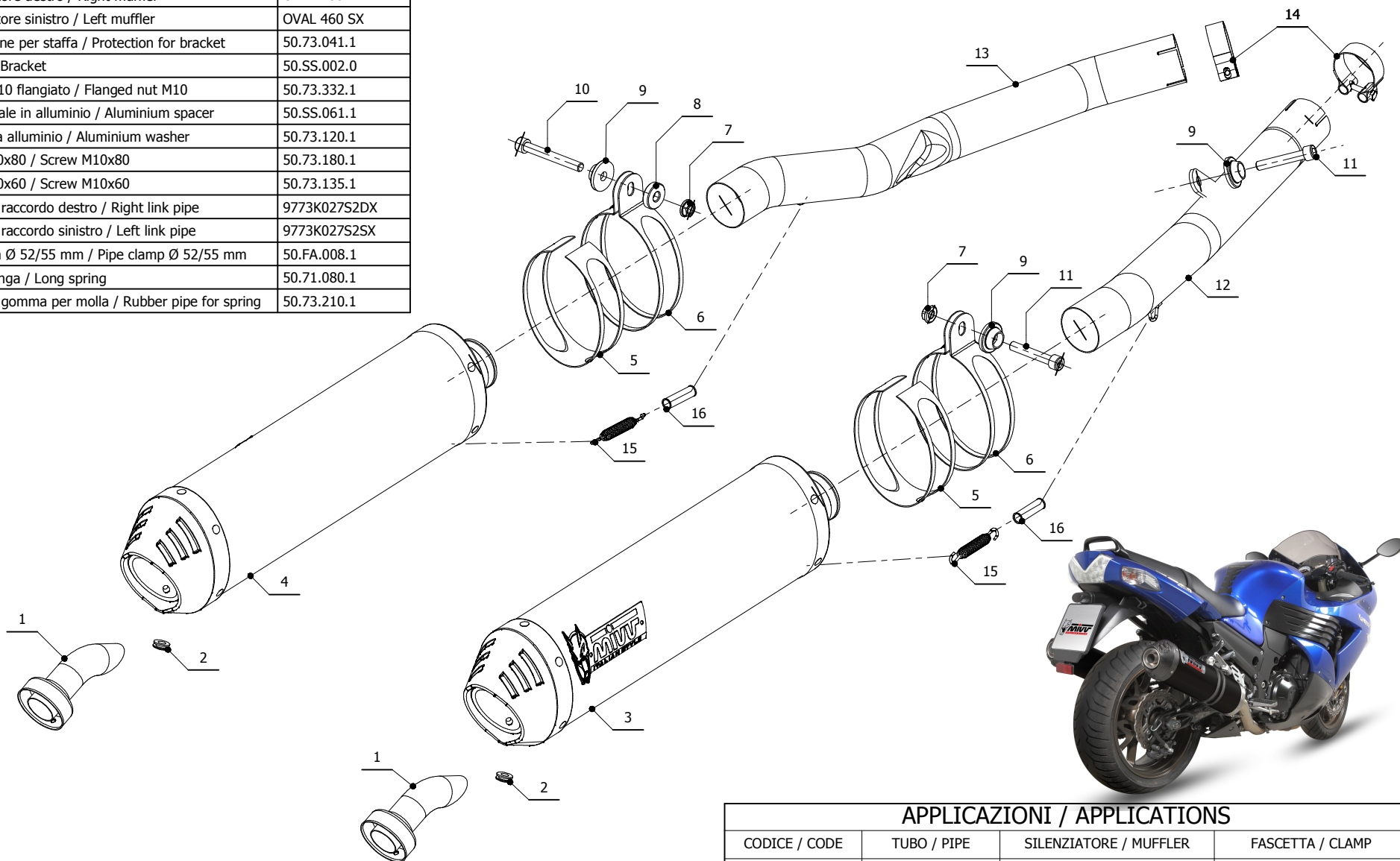
LINE SLIP ON

MUFFLER OVAL CARBON CAP

SCHEMATIC

ELENCO PARTI / PARTS LIST

#	QTÀ / QTY	DESCRIZIONE / DESCRIPTION	CODICE / CODE
1	2	DB killer / DB killer	50.DK.020.0
2	2	Tappo in gomma / Rubber stopper	50.73.266.1
3	1	Silenziatore destro / Right muffler	OVAL 460 DX
4	1	Silenziatore sinistro / Left muffler	OVAL 460 SX
5	2	Protezione per staffa / Protection for bracket	50.73.041.1
6	2	Staffa / Bracket	50.SS.002.0
7	2	Dado M10 flangiato / Flanged nut M10	50.73.332.1
8	1	Distanziale in alluminio / Aluminium spacer	50.SS.061.1
9	3	Rondella alluminio / Aluminium washer	50.73.120.1
10	1	Vite M10x80 / Screw M10x80	50.73.180.1
11	2	Vite M10x60 / Screw M10x60	50.73.135.1
12	1	Tubo di raccordo destro / Right link pipe	9773K027S2DX
13	1	Tubo di raccordo sinistro / Left link pipe	9773K027S2SX
14	2	Fascetta Ø 52/55 mm / Pipe clamp Ø 52/55 mm	50.FA.008.1
15	2	Molla lunga / Long spring	50.71.080.1
16	2	Tubo in gomma per molla / Rubber pipe for spring	50.73.210.1



APPLICAZIONI / APPLICATIONS

CODICE / CODE	TUBO / PIPE	SILENZIATORE / MUFFLER	FASCETTA / CLAMP
K.027.LVC	INOX / ST.STEEL	STEEL BLACK (CARBON CAP)	INOX / ST.STEEL