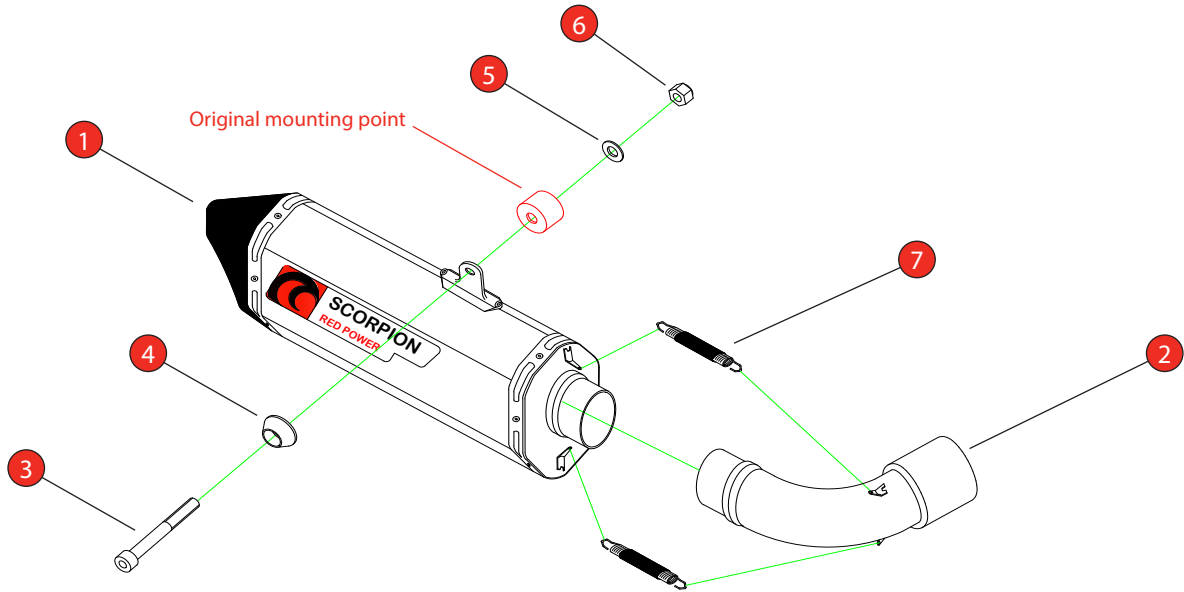


Bike	KTM 990 Duke	Part No.	RKT-96
Year	2024-2025	Fit Kit	Z039.10636
Notes	Where not supplied use original fittings	dB Killer	SCEXDBK24 - (Type W)

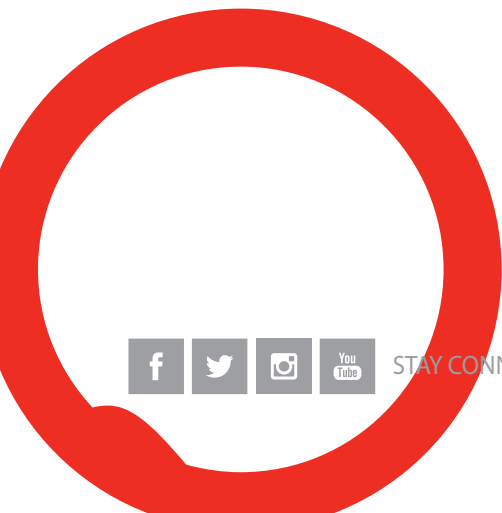
Estimated Fitting Time: 60 Minutes



NO.	PART NO.	DESCRIPTION	QTY
1	RSC548	Serket Silencer	1
2	CP1212	Connecting Pipe	1
Fit Kit - Z039.10636			
3	Z017.10079	M8 x 55mm Cap Head Bolt	1
4	Z026.20068	Alloy Bolt Finisher	1
5	Z017.10825	M8 x 25mm Washer	1
6	Z017.10062	M8 Nyloc Nut	1
7	Z028.10030	Rubber Coated Spring	2

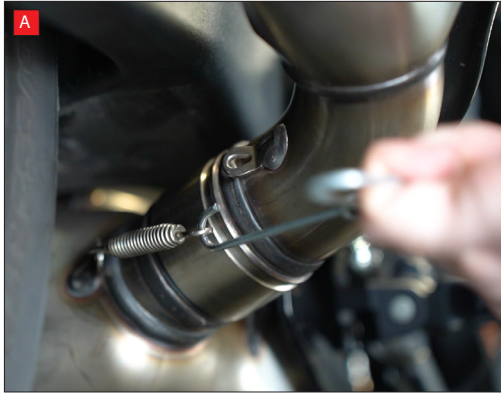
CLASSIFICATION	UK Road Legal
EC APPROVED	No
MARKING	BS AU 193a: 1990/T3
DATE	09/04/2025
ISSUE	01
AUTHORISED	G O'Shea

NOTE: ENSURE SCORPION SYSTEM IS CLEAR OF MOVING PARTS AND ALL ORIGINAL FUNCTIONS WORK CORRECTLY.



STAY CONNECTED TO RED POWER.

Bike	KTM 990 Duke	Part No.	RKT-96
Year	2024-2025	Fit Kits	Z039.10636
Notes	Where not supplied use original fittings	dB Killer	SCEXDBK24 - (Type W)



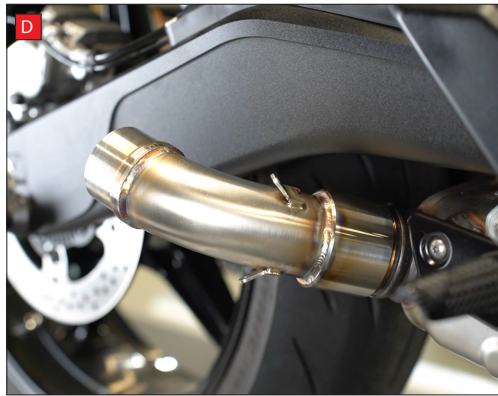
A) Remove the spring between the rear silencer and centre silencer.



B) Remove the rear silencer mounting bolt.

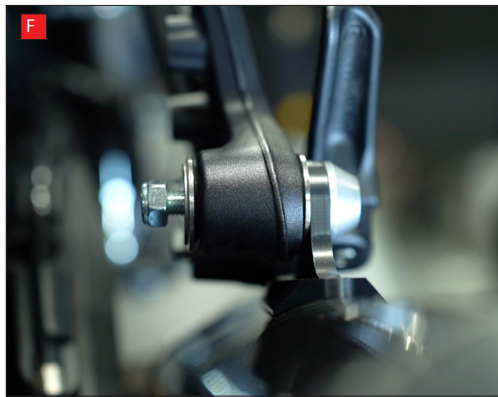
C) Carefully remove the rear silencer.

D) Slide the Scorpion connecting pipe onto the original centre silencer outlet.



E) Slide the Scorpion silencer onto the connecting pipe, then rotate the connecting pipe to line the silencer mounting bracket up with the mounting point on the frame.

F) Loosely secure the silencer in place with the supplied mounting hardware. You will fully tighten at a later stage.



G) Attach the original spring between the centre silencer and Scorpion connecting pipe. Then fit the Scorpion springs between the spring hoops on the Scorpion silencer and link pipe.

H) Fully tighten the silencer mounting hardware.

When fitted take bike for a short ride to ensure all functions are correct. When bike & exhaust are cool enough check all nuts and bolts are still secure.



Bike	KTM 990 Duke	Part No.	RKT-96
Year	2024-2025	Fit Kit	Z039.10636
Notes	Where not supplied use original fittings	dB Killer	SCEXDBK24 - (Type W)

Estimated Fitting Time: 60 Minutes



Thank you for purchasing your Scorpion Silencer.

Care of your exhaust: Please refrain from cleaning silencer with heavy solvents or abrasives!

Vielen Dank Für den kauf eines Scorpion Schalldampfers! Pflegehinweis: Bitte verwenden Sie niemals Scheuermittel oder aggressive Reiniger zur Pflege Ihres Auspuffes!

Merci d'avoir choisi un echappement Scorpion.

Entretien de votre silencieux: Ne pas utiliser de solvants ou de produits abrasifs!

Muchas gracias por adquirir un Silencioso Scorpion. Le recomendamos no limpiar el silencioso con productos abrasivos o aquellos que contengan disolventes.



STAY CONNECTED TO RED POWER.